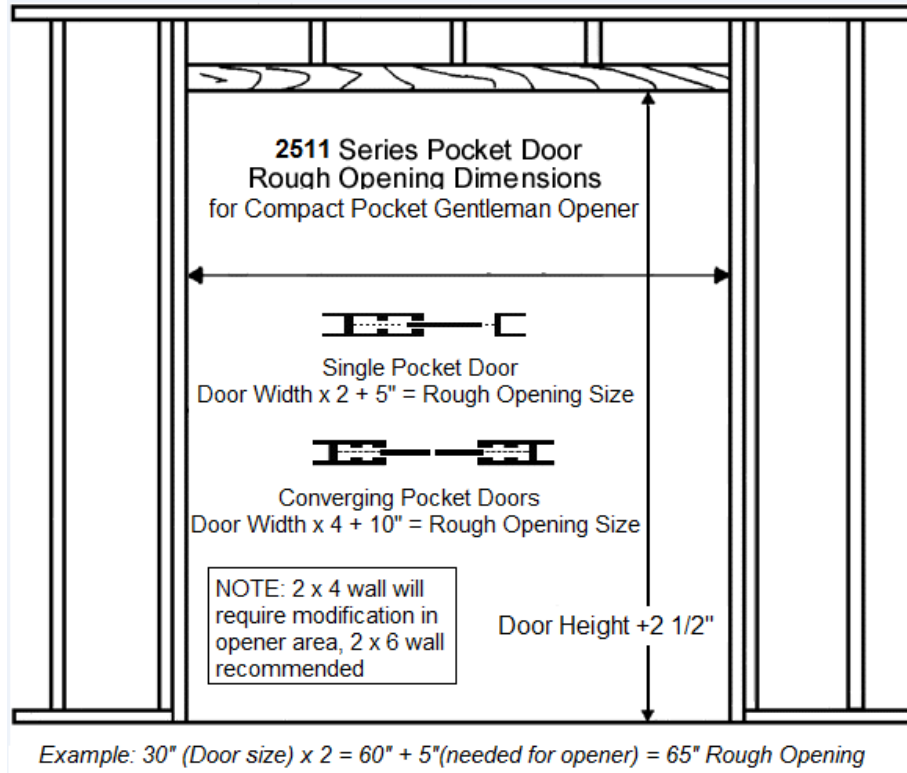


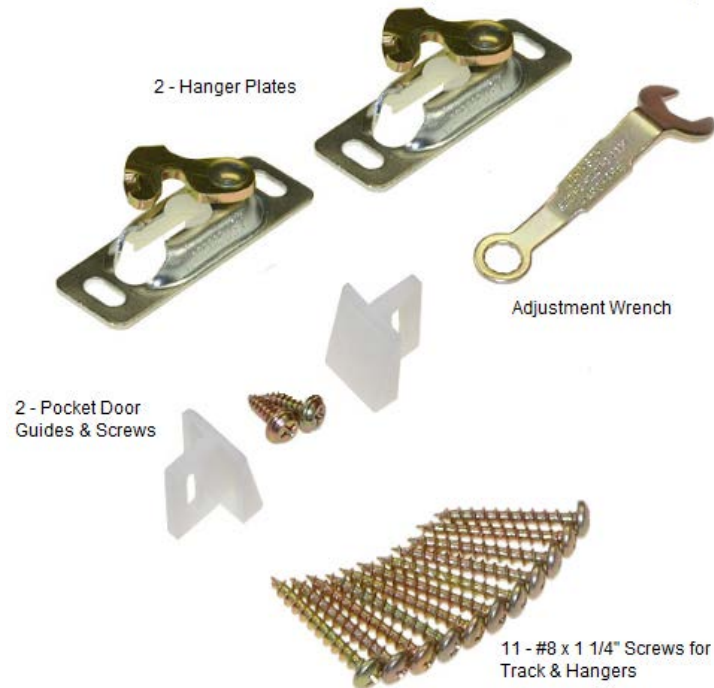
POCKET GENTLEMAN INSTALLATION NOTES

ROUGH OPENING MEASUREMENTS - IMPORTANT!



HARDWARE PACK

Johnson Pocket Door Hardware included with Compact Pocket Gentleman Door Opener



INSTALLATION

***Remove orange plastic shipping tie and rubber band prior to installation.**

- Mount the pocket door hardware using the modified Johnson installation instructions below. Plan accordingly to allow room for the operator; the instructions are only a guideline.
- The preferred, but not required, mounting orientation is with the cylinder over the opening (Step A) for easy access after installation. (NOTE: If you choose to mount the cylinder back inside the wall pocket, reverse the airlines to the cylinder at the control box.)
- The cylinder and trolley must be free to move, do not apply any pressure to either with finished wall or trim panel. Please do not cut the track.

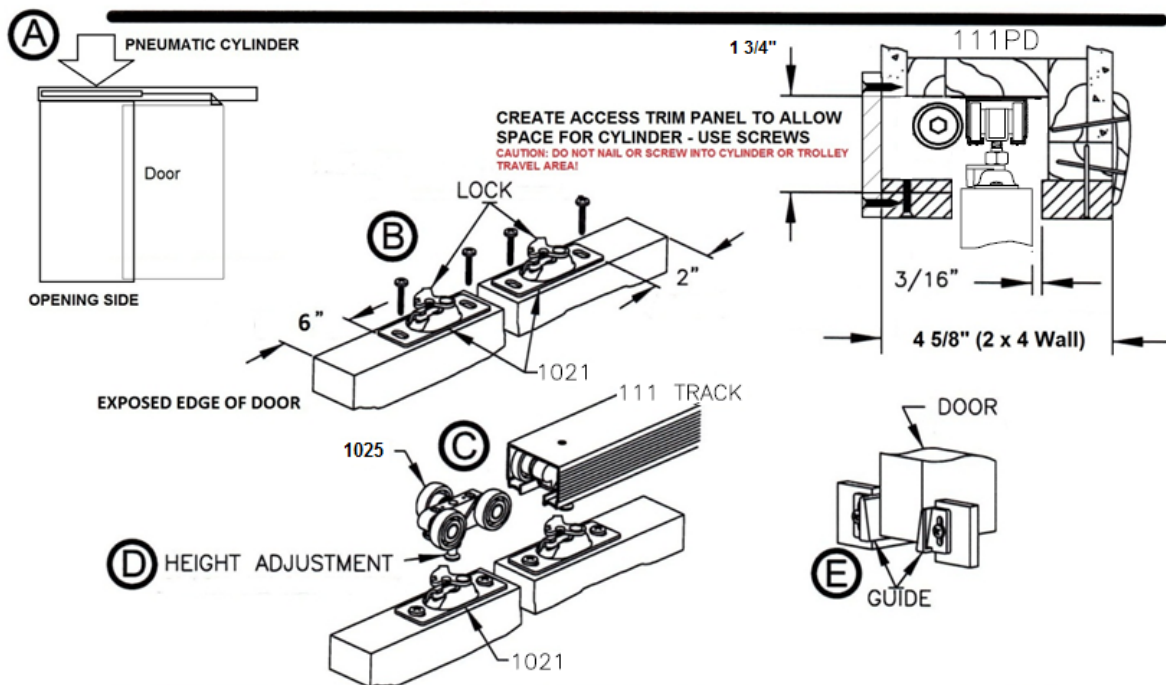


www.johnsonhardware.com

INSTRUCTIONS

111PD SERIES HARDWARE FOR "JOB-SITE" POCKET DOORS

For 1-3/8" to 1-3/4" Doors
weighing up to 150 lbs.
NOTE: The lead roller on the
front trolley does not support
door.



NOTE: Track must be level and square with jamb. Door must be sealed on all 6 sides.
A/Mount Track with cylinder over opening for easy access after installation. This step is optional.
B/Attach Door Plates (1021) on top of the door with lock tabs on same side.
C/Mount Door by locating door plate (1021) under adjusting bolt of Hanger (1025) and tilting door until bolt will slide into seat of Door Plate (1021). Repeat with other Hanger/Door Plate.
D/Adjust Hangers (1025) for height and plumb with jamb. NOTE: Front hanger threads factory coated with a mild locktite.
E/Attach Guides (1550) at bottom of opening and adjust so door is centered in opening.

IN100SLD L.E. JOHNSON PRODUCTS, INC. - 2100 STERLING AVE. - ELKHART, IN USA 46516 - (574) 293-5664 Rev. 05/09
INSTRUCTIONS MODIFIED FOR GENTLEMAN DOOR AUTOMATIC POCKET DOOR KIT APPLIED TO JOHNSON HARDWARE. 800-525-7078

Thank you for choosing the Pocket Gentleman!