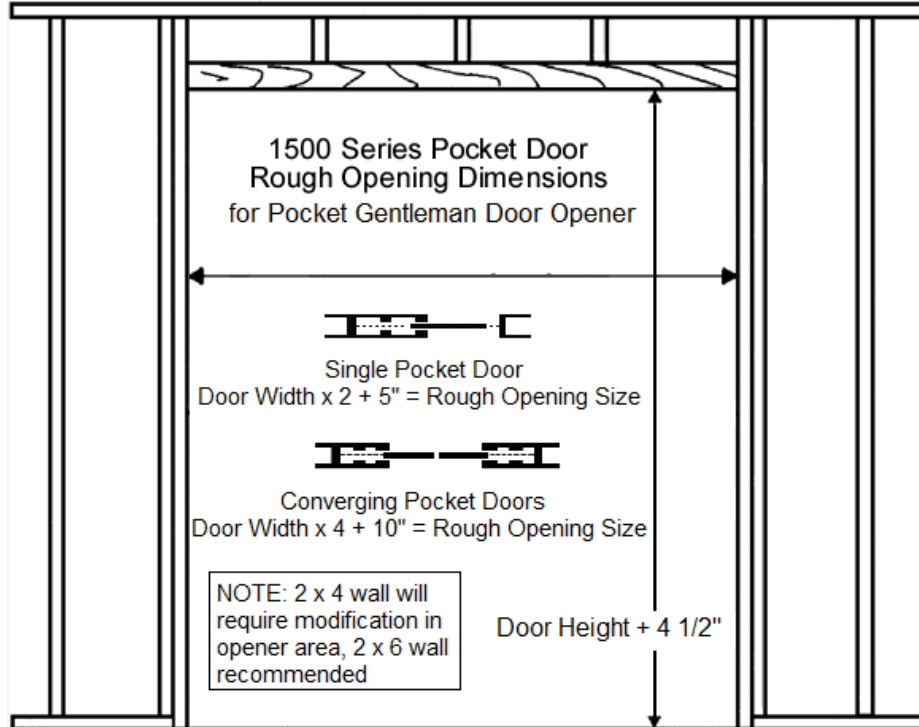


POCKET GENTLEMAN INSTALLATION NOTES

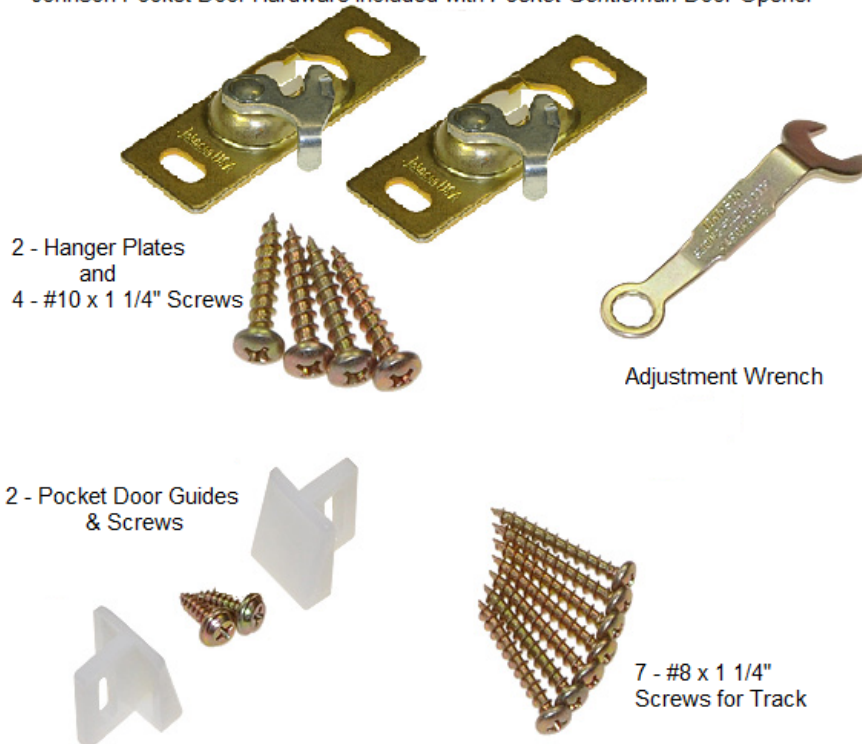
ROUGH OPENING MEASUREMENTS - IMPORTANT!



Example: 30" (Door size) x 2 = 60" + 5" (needed for opener) = 65" Rough Opening

HARDWARE PACK

Johnson Pocket Door Hardware included with *Pocket Gentleman* Door Opener



INSTALLATION

***Remove orange plastic shipping tie and rubber band prior to installation.**

- Mount the pocket door hardware using the modified Johnson installation instructions below. Plan accordingly to allow room for the operator; the instructions are only a guideline.
- The preferred, but not required, mounting orientation is with the cylinder over the opening (Step A) for easy access after installation. (NOTE: If you choose to mount the cylinder back inside the wall pocket, reverse the airlines to the cylinder at the control box.)
- The cylinder and trolley must be free to move, do not apply any pressure to either with finished wall or trim panel. Please do not cut the track.

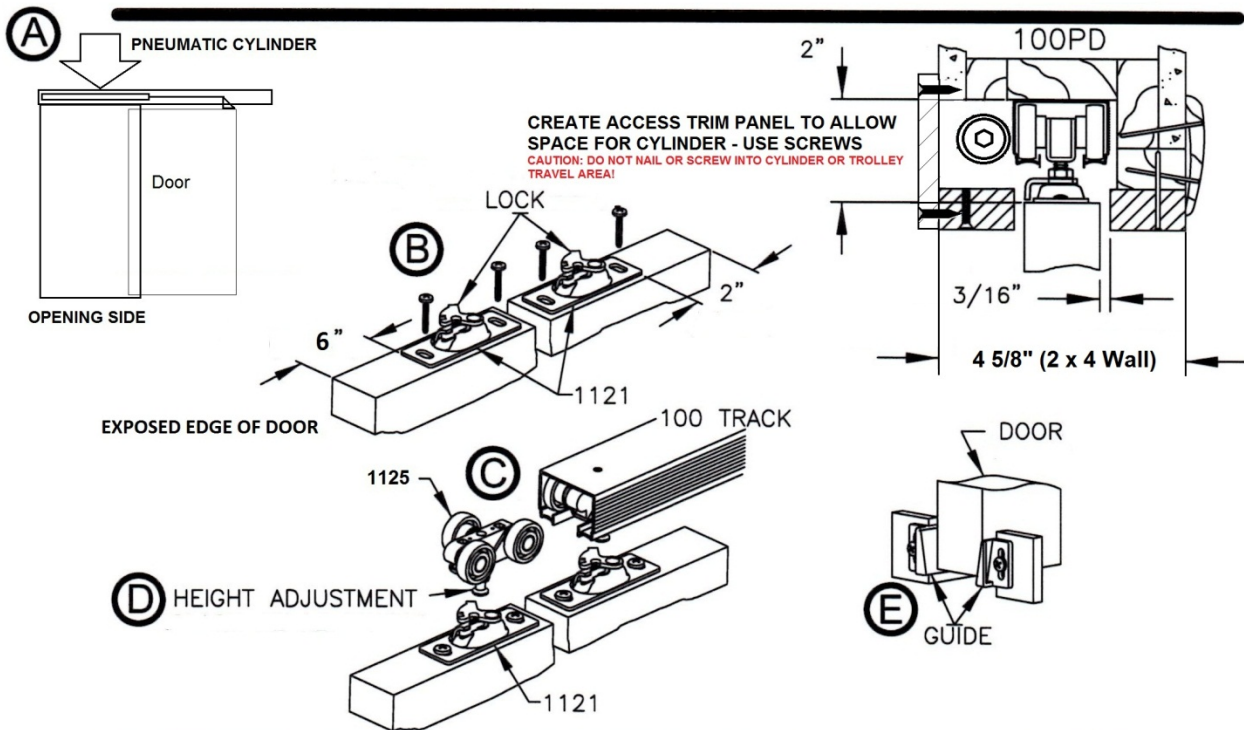


INSTRUCTIONS

For 1-3/8" to 1-3/4" Doors weighing up to 200 lbs.
NOTE: The lead roller on the front trolley does not support door.

www.johnsonhardware.com

100PD SERIES HARDWARE FOR "JOB-SITE" POCKET DOORS



NOTE: Track must be level and square with jamb. Door must be sealed on all 6 sides.
A/Mount Track with cylinder over opening for easy access after installation. This step is optional.
B/Attach Door Plates (1121) on top of the door with lock tabs on same side.
C/Mount Door by locating door plate (1121) under adjusting bolt of Hanger (1125) and tilting door until bolt will slide into seat of Door Plate (1121). Repeat with other Hanger/Door Plate.
D/Adjust Hangers (1125) for height and plumb with jamb. NOTE: Front hanger threads factory coated with a mild locktite.
E/Attach Guides (1550) at bottom of opening and adjust so door is centered in opening.

IN100SLD L.E. JOHNSON PRODUCTS, INC. - 2100 STERLING AVE. - ELKHART, IN USA 46516 - (574) 293-5664 Rev. 05/09
INSTRUCTIONS MODIFIED FOR GENTLEMAN DOOR AUTOMATIC POCKET DOOR KIT APPLIED TO JOHNSON HARDWARE. 800-525-7078

Thank you for choosing the Pocket Gentleman!